



Insulated Structures

Efficiency At Work

UPRIGHT LOFTY NARROW – KITTED FOR MEAT 800 SERIES



Optional Specifications

- 40mm Lofty Full Patch Ends
- 40mm Lofty Patch Ends with Glass
- Acrylic Doors (Double Cool) / Premium or Standard Airshield Doors
- Manual Night Blinds
- Electronic Valves
- ECM Fans

Standard Specifications

- | | |
|---------------------------------------|----------------------------------|
| • 5 x LED Lit Stainless Steel Shelves | • 2 x Probes (Air Off & Defrost) |
| • Front Glass | • Standard Coil |
| • Front Fences | • Aluminum Ticket Rails |
| • Shaded pole Fan | • Electronic Display |
| • Valve (Brass Thermostatic) | • Canopy Ceiling LED Lights |

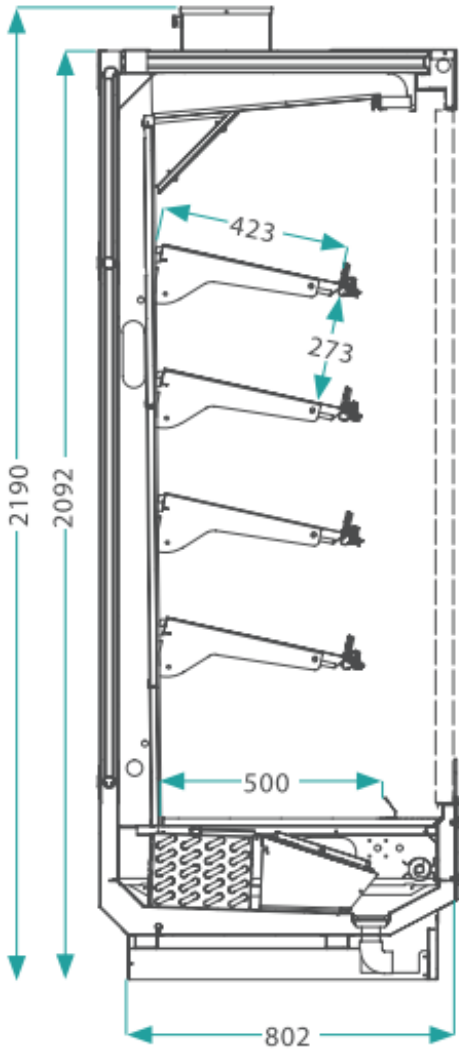
Leaders in world class innovation for bespoke end to end energy efficient refrigeration solutions



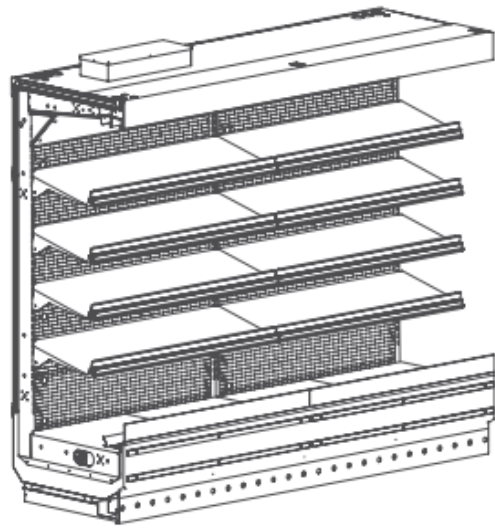
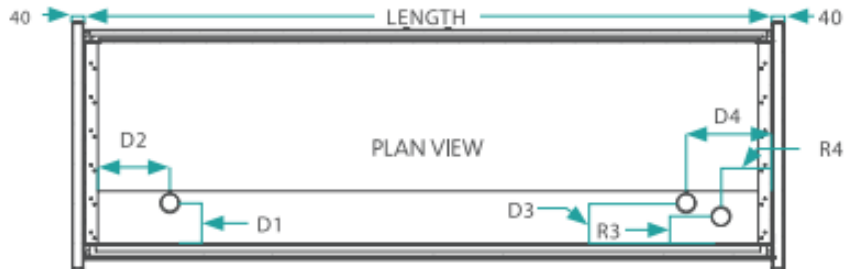
Insulated Structures

Efficiency At Work

LOFTY UPRIGHT NARROW 800 – KITTED FOR MEAT SERIES CONT:



SLANTED SHELVES



KITTED FOR MEAT

Refrigeration Requirements

| Product | Refrigeration | Evaporator Temp |
|---------|---------------|-----------------|
| Meat | 405W/ft | -8°C |

| Physical Properties | | | Drain and Refrigeration Points | | | | | | | |
|---------------------|------------|-----------------------|--------------------------------|-------|-------|-------|---------------|---------------|---------------|---------------|
| Size | Length (m) | TDA (M ²) | D1 | D2 | D3 | D4 | R1 – Top Exit | R2 – Top Exit | R3 – Btm Exit | R4 – Btm Exit |
| 4ft | 1.22 | 1.98 | 200mm | 610mm | - | - | 100mm | 90mm | 150mm | 180mm |
| 6ft | 1.83 | 3.00 | 200mm | 300mm | 200mm | 300mm | 100mm | 90mm | 150mm | 180mm |
| 8ft | 2.44 | 3.96 | 200mm | 300mm | 200mm | 300mm | 100mm | 90mm | 150mm | 180mm |
| 12ft | 3.66 | 5.95 | 200mm | 300mm | 200mm | 300mm | 100mm | 90mm | 150mm | 180mm |

Electrical Specifications

| Size | Evaporator Fans | Heaters | Heaters | Lighting | Lighting |
|------|-----------------------------------|----------------|---------|--------------|---------------|
| | Fan Blade + Motor | Anti-Sweat | Defrost | Canopy (LED) | Shelf (LED) |
| 4ft | 2xØ200-28°/36W (SPM) or 24W (ECM) | 1x7W/m x 2.2m | 1x800W | 1x4ft = 25W | 6x4ft = 72W |
| 6ft | 3xØ200-28°/36W (SPM) or 24W (ECM) | 1x7W/m x 3.0m | 1x1200W | 2x3ft = 36W | 12x3ft = 120W |
| 8ft | 4xØ200-28°/36W (SPM) or (ECM) | 1x7W/m x 4.88m | 1x1600W | 2x4ft = 50W | 12x4ft = 144W |
| 12ft | 6xØ200-28°/36W (SPM) or 24W (ECM) | 1x7W/m x 7.3m | 1x2400W | 3x4ft = 75W | 18x4ft = 216W |

Leaders in world class innovation for bespoke end to end energy efficient refrigeration solutions



Insulated Structures
Efficiency At Work